

Installation Guide

18-HE57D1-2

Filter Enclosure

TFM145B0FR
TFM14DA0FR
TFM175B0FR
TFM17DA0FR
TFM210B0FR

TFM215B0AH
TFM21DA0FR
TFM235B0AH
TFM245B0FR
TFM24DA0FR

TFM260B0AH
TFP145A0FR
TFP175A0FR
TFP210A0FR
TFP245A0FR

TFP215A0AH
TFP235A0AH
TFP260A0AH

ALL phases of this installation must comply with NATIONAL, STATE AND LOCAL CODES

IMPORTANT — This Document is **customer property** and is to remain with this unit. Please return to service information pack upon completion of work.

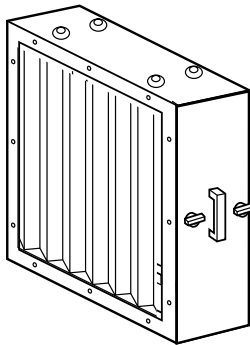
WARNING

This information is for use by individuals having adequate backgrounds of electrical and mechanical experience. Any attempt to repair a central air conditioning product may result in personal injury and/or property damage. The manufacturer or seller cannot be responsible for the interpretation of this information, nor can it assume any liability in connection with its use.

MAINTENANCE/REPLACEMENT SCHEDULE

Conditions	Continuous Fan		Auto Fan	
	Dusty	Normal	Dusty	Normal
1 Inch Filter	14-30 Days	30-60 Days	30-45 Days	45-90 Days
5 Inch Media	1-2 Months	3 Months	3 Months	6 Months

The Maintenance/Replacement Schedule is dependent on the amount of air passing through the filter as well as the amount of dust (pollen, smoke, etc.) in the air. This schedule shows estimated time periods and may be increased or decreased based on actual conditions.



COMPONENTS OF THE FILTER ENCLOSURE

Enclosure - mounts between the furnace/air handler and return air duct work and houses the 1 inch filter or 5 inch filter.

Filter - either 1 inch filter or 5 inch filter. Traps large particles such as hair and lint and visible dust.

Access Door - Allows access to the filter.

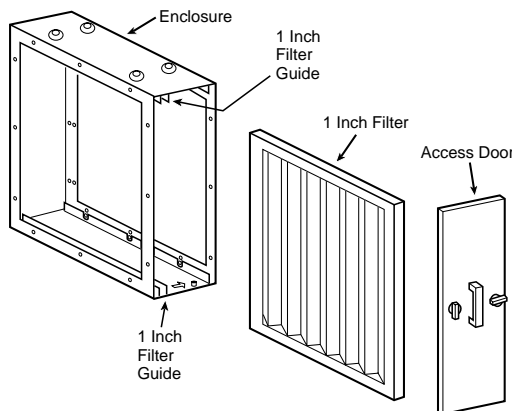


Fig 1. Filter Enclosure with 1" Filter

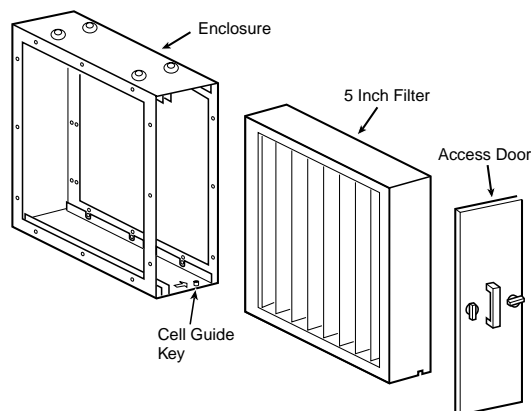


Fig 2. Filter Enclosure with 5" Media Filter

Installer's Guide

PRE-INSTALLATION

LOCATING THE FILTER ENCLOSURE

NOTE: Do not install the air filter in the discharge air stream of either the heating or cooling unit.

⚠ CAUTION

Do not install air cleaner where the filter can be exposed to UV light. UV light can cause the plastic material to deteriorate, which may lead to filter damage.

This filter enclosure must be mounted in the return air duct on the entering air side of a central forced-air furnace/air handler. (See Figure 3 for example.)

SELECT A LOCATION THAT MEETS THE FOLLOWING:

1. The face of the filter must be at a right angle to the air stream.
2. Allow a minimum of 28 inches clearance in front of the filter enclosure to permit removal of the filter.
3. Atomizing spray type humidifiers, when used, must be installed on the supply side (away from the filter).

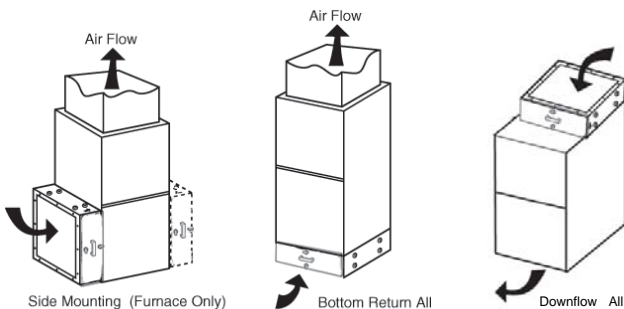


Figure 3. Mounting Location of Air Cleaner

DIRECTION OF AIR FLOW THROUGH THE FILTER ENCLOSURE

4. The filter enclosure is designed for single-direction air flow. Install the filter enclosure such that the arrow always points towards the furnace/air handler. (See Fig. 4)
5. The mounting flange on entering air side of the enclosure has the single row of holes for attaching ductwork.

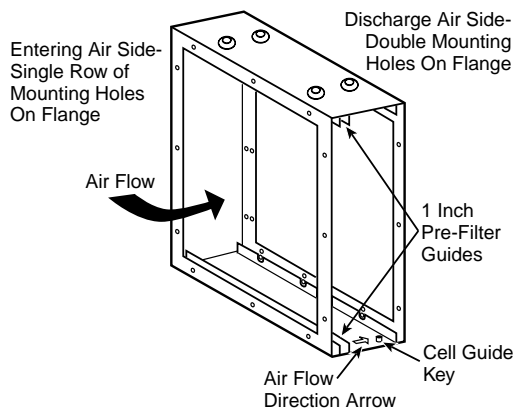


Figure 4. Air Flow Direction

6. On side return furnace applications, the air cleaner may be installed on either side of the cabinet. See Figure 2. Position the pre-filter on the side away from the furnace. The cell guide key, installed in the cabinet will only allow the cells to be installed in the proper direction. Air flow direction must agree with air flow arrows on the cabinet.
7. It is recommended that sheet metal turning vanes be installed inside an elbow on ductwork attached to the entering airstream side of the air cleaner. This improves the air distribution over the cells. (See Fig. 5)

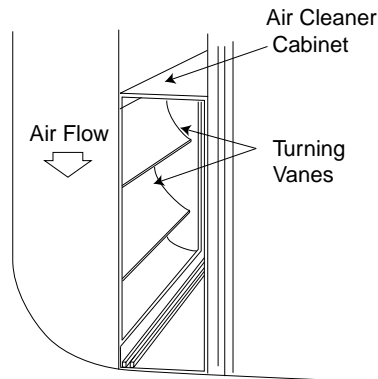


Figure 4. Turning Vanes

8. Use transition fittings where return air duct dimensions do not match the air cleaners opening dimensions. Gradual transitions are preferred for greatest efficiency. Four inches per linear foot (approximately 20° angle) should be allowed, space permitting.
9. Seal all joints in the return air system to prevent dust from entering the air stream and coil corrosion.

Bottom MOUNT - Furnaces or Air Handler

1. Rotate the two quarter turn latches on the access door to remove the access door from the enclosure and set it aside. Remove the filter and set aside until the enclosure is installed.
2. Position the furnace/air handler on a protective pad on the floor with the bottom of the furnace/air handler in the up position (see Fig. 5).

NOTE: This allows maximum downward force to be exerted on the power drill when installing the attaching screws.

3. Install the self-adhesive gasket material onto the flange of the discharge-air side of the filter enclosure.

IMPORTANT: The gasket material will provide a seal between the enclosure and the bottom of the unit. It should be placed toward the outside edge of the flange. The outer edge screw holes on the enclosure flange must be used to attach the filter enclosure.

4. Position the filter enclosure on the bottom of the unit with the gasket against the unit. Align the rear of the enclosure with the rear of the unit and the two sides of the enclosure with the sides of the unit. The front of the enclosure will NOT align flush with the front of the unit.

5. Check that the front of the filter enclosure is facing the front of the unit.
6. Securely attach the filter enclosure to the unit using the heavy-duty self-tapping sheet metal screws provided.

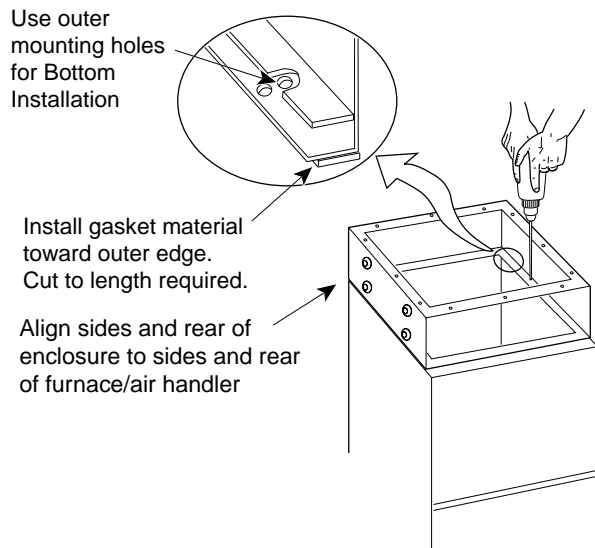


Figure 5. Bottom Installation Details

SIDE MOUNT - (Upflow model furnace only) (14" and 17.5" Filter Enclosure Height)

NOTE: The 21" and 24 1/2" Filter Enclosure Heights require a transition between the filter enclosure and the furnace.

NOTE: Do not install the filter enclosure on the side of an air handler.

1. Rotate the two quarter turn latches on the access door to remove the access door from the enclosure and set it aside. Remove the filter, and set aside until the enclosure is installed.
2. Lay the furnace on a protective pad on the floor with the surface on which the filter enclosure will be installed in the up position.

NOTE: This allows maximum downward force to be exerted on the power drill when installing the attaching screws.

3. Align the rear of the filter enclosure flush with the rear of the furnace. Align the bottom of the filter enclosure 1/4 inch above the bottom of the furnace. Mark the inside opening of the filter enclosure using the inside edge of the mounting flange as a guide. Move the enclosure and cut the opening.

NOTE: Do NOT use the standard furnace indents for the opening. The opening for the filter enclosure must be larger than the standard furnace opening.

4. Install the self-adhesive gasket material onto the flange of the discharge-air side of the filter enclosure.

IMPORTANT: The gasket material provides a seal between the enclosure and the furnace. It should be placed toward the inside edge of the flange. The inner edge screw holes on the enclosure flange will be used to attach the filter enclosure to the furnace.

5. Position the filter enclosure, with the gasket against the furnace, over the furnace enclosure opening cut previously in step 3.
6. Check that the front of the filter enclosure is facing the front of the furnace.
7. Securely attach the filter enclosure to the furnace using the heavy-duty self-tapping sheet metal screws provided.
8. Seal all joints in the return air system to prevent dust from entering the airstream.

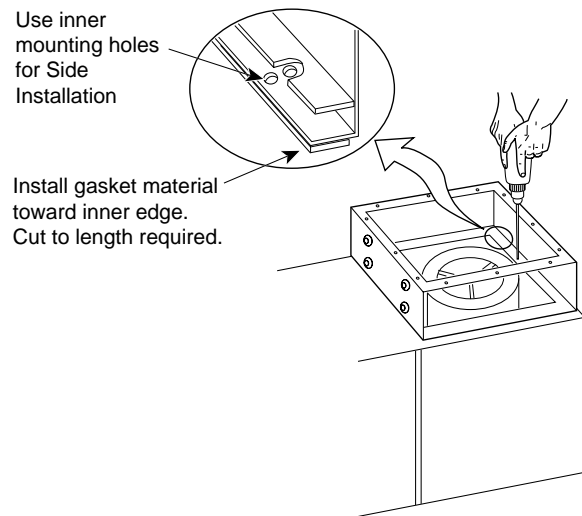


Figure 6. Side Installation Details

Installer's Guide

DOWNFLOW FURNACE INSTALLATION

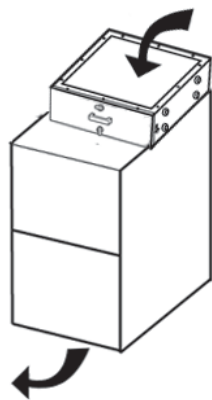


Figure 7

1. Rotate the two quarter turn latches on the access door to remove it from the enclosure. Remove the filter and set aside until the enclosure is installed.
2. Install the self-adhesive gasket material on the side of the filter enclosure flange that will mate with the indoor unit.

NOTE: Remove filter rack from downflow furnace and discard.

3. Cut 2 the front duct flange at the ends of the filter rack cutout and remove the material between the two notches. See Fig. 8.

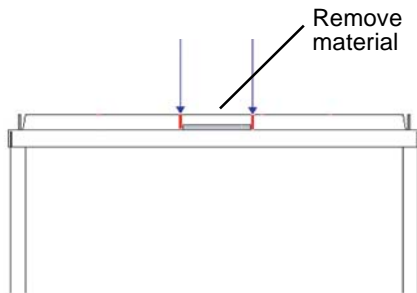


Figure 8

4. Bend the 4 mounting tabs down on the two sides of the filter enclosure. These can be used to attach the filter enclosure to the furnace. See Fig. 9.

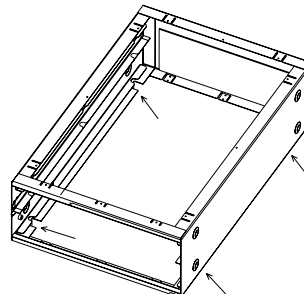


Figure 9

5. Position the filter enclosure on the return opening of the indoor unit with the filter enclosure gasket against the indoor unit. Check that the front of the filter enclosure is facing the front of the indoor unit.
6. Align the rear of the filter enclosure flush with the rear of the indoor unit.
7. Align the sides of the enclosure with the sides of the unit.
8. The front of the enclosure will NOT align flush with the front of the unit.
9. Securely fasten the unit using the self-tapping sheet metal screws provided.
10. Seal all joints in the return air system to prevent dust from entering the airstream.
11. Reinstall the filter.

American Standard Inc.
6200 Troup Highway
Tyler, TX 75707

For more information contact
your local dealer (distributor)

Since the manufacturer has a policy of continuous product and product data improvement, it reserves the right to change design and specifications without notice.