

PRODUCT SPECIFICATIONS



HRV/ERV SERIES

HEAT RECOVERY VENTILATORS & ENERGY RECOVERY VENTILATORS

The Amana[®] brand HRV/ERV Heat/Energy Recovery Ventilators are easy to install and service. The fully insulated cabinet with 1" high-density, polystyrene foam insulation meets the requirements of the UL 94 HF. Unit is constructed of galvanized steel and finished with a powder-coat paint finish.

Standard Features

- Energy-efficient aluminum HRV core and enthalpy ERV core are configured for efficient cross-flow ventilation
- Designed to withstand extreme temperature variations
- Factory-balanced EBM[™] external rotor motors with backward curved blades
- External, three-position (Low/Stand-by/Medium) rocker switch for continuous ventilation
- State-of-the-art control boards provide easy connection to existing HVAC equipment
- Screw-type dial on electrical box allows supply air to be adjusted to match exhaust airflow (HRV-150D, HRV-200D only)
- Optional remote controls provide easy operation
- Easy-access door, service light indicator, and external electrical box for easy service and maintenance
- Advanced Defrost Cycle (HRV Series)
- Two washable, electrostatic, panel-type air filters

Cabinet Features

- Fully insulated cabinet with 1" high-density, polystyrene foam insulation meets the requirements of the UL 94 HF
- 22-gauge galvanized-steel cabinet with powder-coat paint finish; HRV-150 and HRV-150D are 24-gauge
- Permanently lubricated, sealed motor bearings
- Factory-supplied installation kit



* Full warranty details available at www.amana-hac.com.

SPECIFICATIONS

MODEL	RECOVERY VENTILATOR TYPE	CFM	POWER*				CORE SIZE	FILTER SIZES	WEIGHT (LBS)
			VOLTAGE	HZ	AMPS	WATTS			
HRV-150	Heat	123	120	60	1.5	150	9" x 9" x 15"	8.5" x 15" x 0.125"	49
HRV-200	Heat	168	120	60	1.9	150	12" x 12" x 15"	11.75" x 15" x 0.125"	66
HRV-150D	Heat w/ recirculation	123	120	60	1.5	150	9" x 9" x 15"	8.5" x 15" x 0.125"	51
HRV-200D	Heat w/ recirculation	168	120	60	1.9	150	12" x 12" x 15"	11.75" x 15" x 0.125"	66
HRV-300D	Heat w/ recirculation	247	120	60	2.7	150	12" x 12" x 15"	11.75" x 15" x 0.125"	125
ERV-150	Energy	135	120	60	1.5	150	9" x 9" x 15"	8.5" x 15" x 0.125"	49
ERV-200	Energy	155	120	60	1.9	150	12" x 12" x 15"	11.75" x 15" x 0.125"	66

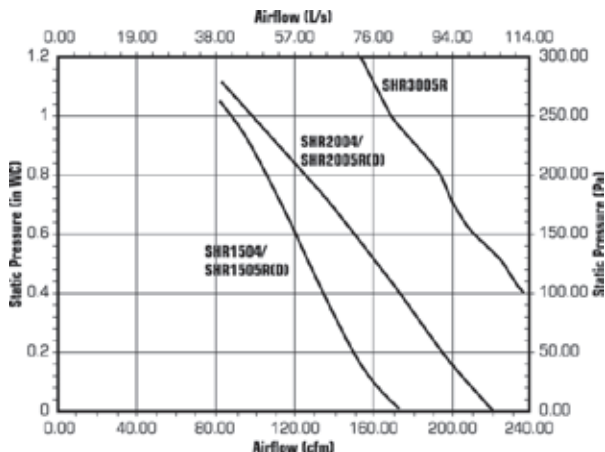
* All units come with a 3' plug-in power cord with three-prong plug

PERFORMANCE DATA

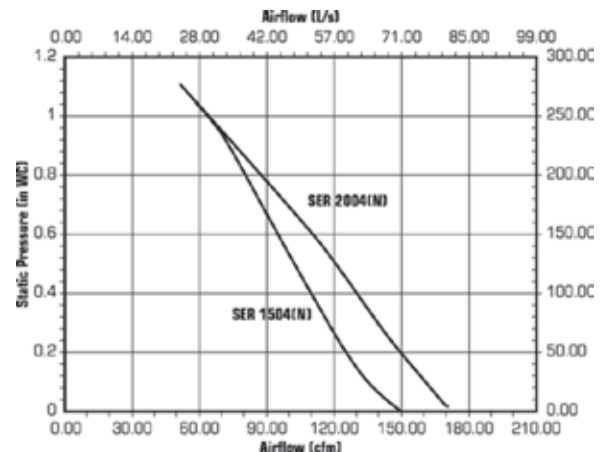
MODEL	APPARENT SENSIBLE EFFECTIVENESS AT 32°F (0°C)	APPARENT SENSIBLE EFFECTIVENESS AT -13°F (-25°C)
HRV-150/HRV-150D	72%	69%
HRV-200/HRV-200D	71%	76%
HRV-300D	92%	91%
ERV-150	72%	69%
ERV-200	71%	76%

NOTE: Airflow Cap. CFM (L/A) @ 0.4 on High Speed

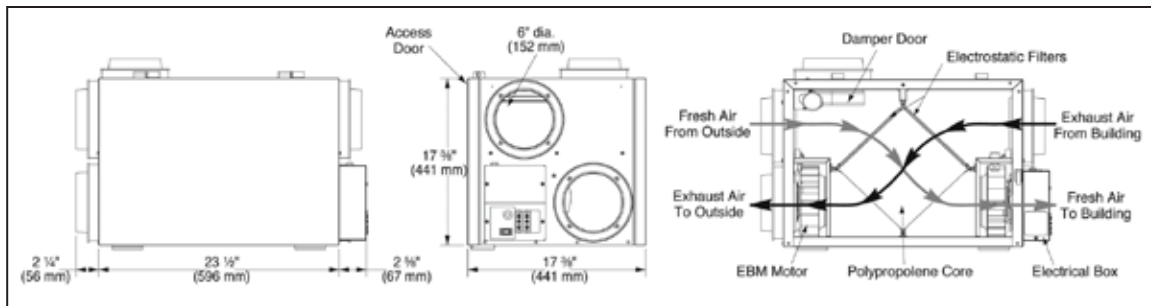
HRV PERFORMANCE CHARTS



ERV PERFORMANCE CHARTS

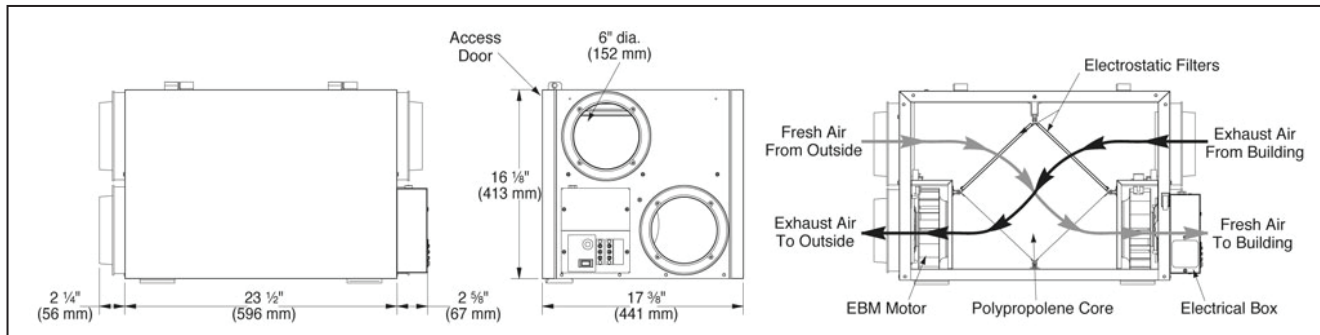


HRV AND ERV DIMENSIONS



MODEL	DIMENSIONS					
	WIDTH	DEPTH	HEIGHT	SUPPLY/ EXHAUST DIAMETER	EXTERNAL VENT DEPTH	INTERNAL VENT DEPTH
HRV-150	17 3/8"	23 1/2"	16 1/8"	6"	2 1/4"	2 5/8"
HRV-200	17 3/8"	27 7/8"	20 1/2"	6"	2 1/4"	2 5/8"
ERV-150	17 3/8"	23 1/2"	16 1/4"	6"	2 1/4"	2 5/8"
ERV-200	17 3/8"	27 7/8"	20 1/2"	6"	2 1/4"	2 5/8"

HRV WITH RECIRCULATION DIMENSIONS



MODEL	DIMENSIONS					
	WIDTH	DEPTH	HEIGHT	SUPPLY/ EXHAUST DIAMETER	EXTERNAL VENT DEPTH	INTERNAL VENT DEPTH
HRV-150D	17 3/8"	23 1/2"	17 3/8"	6"	2 1/4"	2 5/8"
HRV-200D	17 3/8"	27 7/8"	20 1/2"	6"	2 1/4"	2 5/8"
HRV-300D	17 3/8"	50 3/8"	22 1/5"	6"	2 1/4"	2 1/4"

ACCESSORIES

OPTIONAL REMOTE CONTROLS

MODEL	DESCRIPTION
DMFC	Digital Multi-Function Wall Control
DMFC-REC	Digital Multi-Function Wall Control with Recirculation
MD-2W	Two-Wire, Low-Voltage Mechanical Dehumidistat
MD-4W	Four-Wire, Low-Voltage Mechanical Dehumidistat with On/Off switch
RT-15M	15-minute push-button timer
CT-30M	30-minute crank timer
AQS	Air quality sensor

EXHAUST HOODS

MODEL	DESCRIPTION
SEH-6M	Metal Supply & Exhaust Hoods (6")
SEH-6P	Plastic Supply & Exhaust Hoods (6")

